

ELIMINATOR[®]

LIGHTING



FROST FX BAR W

User Instructions

©2021 ADJ Products, LLC all rights reserved. Information, specifications, diagrams, images, and instructions herein are subject to change without notice. Eliminator Lighting, ADJ Products, LLC logo and identifying product names and numbers herein are trademarks of ADJ Products, LLC. Copyright protection claimed includes all forms and matters of copyrightable materials and information now allowed by statutory or judicial law or hereinafter granted. Product names used in this document may be trademarks or registered trademarks of their respective companies and are hereby acknowledged. All non-ADJ Products, LLC brands and product names are trademarks or registered trademarks of their respective companies.

ADJ Products, LLC and all affiliated companies hereby disclaim any and all liabilities for property, equipment, building, and electrical damages, injuries to any persons, and direct or indirect economic loss associated with the use or reliance of any information contained within this document, and/or as a result of the improper, unsafe, insufficient and negligent assembly, installation, rigging, and operation of this product.

ADJ PRODUCTS LLC World Headquarters

6122 S. Eastern Ave. | Los Angeles, CA 90040 USA

Tel: 800-322-6337 | Fax: 323-582-2941 | www.adj.com | lsupport@adj.com

ADJ Supply Europe B.V.

Junostraat 2 | 6468 EW Kerkrade | Netherlands

Tel: +31 45 546 85 00 | Fax: +31 45 546 85 99 | www.americandj.eu | service@americandj.eu

Europe Energy Saving Notice

Energy Saving Matters (EuP 2009/125/EC)

Saving electric energy is a key to help protecting the environment. Please turn off all electrical products when they are not in use. To avoid power consumption in idle mode, disconnect all electrical equipment from power when not in use. Thank you!

DOCUMENT VERSION

Due to additional product features and/or enhancements, an updated version of this document may be available online.

Please check www.eliminatorlighting.com for the latest revision/update of this manual before beginning installation and/or programming.

Date	Document Version	Software Version >	DMX Channel Mode	Notes
08/25/21	1	1.0	6/8/14/14/17/56/60/66/69	Initial Version

CONTENTS

General Information	4
Limited Warranty (USA Only)	5
Safety Guidelines	6
Overview	8
Installation	9
DMX Set Up	12
DMX Addressing	14
System Menu	15
DMX Traits: Channel Functions & Values	16
Color Macro Chart	18
Dimmer Mode Chart	19
Power Linking Cleaning	20
Specifications	21

GENERAL INFORMATION

INTRODUCTION

Please read and understand all instructions in this manual carefully and thoroughly before attempting to operate these products. These instructions contain important safety and use information.

UNPACKING

The products in this kit have been thoroughly tested and have been shipped in perfect operating condition. Carefully check the shipping carton for damage that may have occurred during shipping. If the carton appears to be damaged, carefully inspect each unit included for damage and be sure all accessories necessary to operate the units have arrived intact. In the event damage has been found or parts are missing, please contact our customer support team for further instructions. Please do not return this kit to your dealer without first contacting customer support at the number listed below. Please do not discard the shipping carton in the trash. Please recycle whenever possible.

WARRANTY RETURNS

All returned service items whether under warranty or not, must be freight pre-paid and accompany a return authorization (R.A.) number. The R.A. number must be clearly written on the outside of the return package. A brief description of the problem as well as the R.A. number must also be written down on a piece of paper and included in the shipping container. If the unit is under warranty, you must provide a copy of your proof of purchase invoice. Items returned without a R.A. number clearly marked on the outside of the package will be refused and returned at customer's expense. You may obtain a R.A. number by contacting customer support.

LIMITED WARRANTY (USA ONLY)

- A. Eliminator Lighting, an ADJ Products, LLC brand, hereby warrants, to the original purchaser, ADJ Products, LLC products to be free of manufacturing defects in material and workmanship for a prescribed period from the date of purchase (see specific warranty period on reverse). This warranty shall be valid only if the product is purchased within the United States of America, including possessions and territories. It is the owner's responsibility to establish the date and place of purchase by acceptable evidence, at the time service is sought.
- B. For warranty service, you must obtain a Return Authorization number (RA#) before sending back the product-please contact ADJ Products, LLC Service Department at 800-322-6337. Send the product only to the ADJ Products, LLC factory. All shipping charges must be pre-paid. If the requested repairs or service (including parts replacement) are within the terms of this warranty, ADJ Products, LLC will pay return shipping charges only to a designated point within the United States. If the entire instrument is sent, it must be shipped in its original package. No accessories should be shipped with the product. If any accessories are shipped with the product, ADJ Products, LLC shall have no liability whatsoever for loss of or damage to any such accessories, or for the safe return thereof.
- C. This warranty is void if the serial number has been altered or removed; if the product is modified in any manner which ADJ Products, LLC concludes, after inspection, affects the reliability of the product, if the product has been repaired or service by anyone other than ADJ Products, LLC factory unless prior written authorization was issued to purchaser by ADJ Products, LLC; if the product is damaged because not properly maintained as set forth in the instruction manual.
- D. This is not a service contract, and this warranty does not include maintenance, cleaning or periodic check up. During the period specified above, ADJ Products, LLC will replace defective parts at its expense with new or refurbished parts, and will absorb all expenses for warranty service and repair labor by reason of defects in material or workmanship. The sole responsibility of ADJ Products, LLC under this warranty shall be limited to the repair of the product, or replacement thereof, including parts, at the sole discretion of ADJ Products, LLC. All products covered by this warranty were manufactured after August 15, 2012, and bear identifying marks to that effect.
- E. ADJ Products, LLC reserves the right to make changes in design and/or improvements upon its products without any obligation to include these changes in any products theretofore manufactured.
- F. No warranty, whether expressed or implied, is given or made with respect to any accessory supplied with products described above. Except to the extent prohibited by applicable law, all implied warranties made by ADJ Products, LLC in connection with this product, including warranties of merchantability or fitness, are limited in duration to the warranty period set forth above. And no warranties, whether expressed or implied, including warranties of merchantability or fitness, shall apply to this product after said period has expired. The consumer's and/or Dealer's sole remedy shall be such repair or replacement as is expressly provided above; and under no circumstances shall ADJ Products, LLC be liable for any loss or damage, direct or consequential, arising out of the use of, or inability to use, this product.
- G. This warranty is the only written warranty applicable to ADJ Products, LLC Products and supersedes all prior warranties and written descriptions of warranty terms and conditions heretofore published.

LIMITED WARRANTY PERIODS

- **All Eliminator Lighting products (except laser diodes) = 1-year (365 days) Limited Warranty** (Such as: Special Effect Lighting, Intelligent Lighting, UV lighting, Strobes, Fog Machines, Bubble Machines, Mirror Balls, Par Cans, Trussing, Lighting Stands etc. excluding LED and lamps)
- **Laser Products = 1 Year (365 Days) Limited Warranty** (excludes laser diodes which have 6 month limited warranty)
- **Batteries = 180 Day Limited Warranty** (excluding batteries which have a 180 day limited warranty)

SAFETY GUIDELINES

To guarantee a smooth operation, it is important to follow all instructions and guidelines in this manual. ADJ Products, LLC is not responsible for injury and/or damages resulting from the misuse of this fixture due to the disregard of the information printed in this manual. Only qualified and/or certified personnel should perform installation of this fixture and only the original rigging parts included with this fixture should be used for installation. Any modifications to the fixture and/or the included mounting hardware will void the original manufactures warranty and increase the risk of damage and/or personal injury.



PROTECTION CLASS 1 - FIXTURE MUST BE PROPERLY GROUNDED



THERE ARE NO USER SERVICEABLE PARTS INSIDE THIS UNIT. DO NOT ATTEMPT ANY REPAIRS YOURSELF; DOING SO WILL VOID YOUR MANUFACTURES WARRANTY. DAMAGES RESULTING FROM MODIFICATIONS TO THIS FIXTURE AND/OR THE DISREGARD OF SAFETY INSTRUCTIONS AND GUIDELINES IN THIS MANUAL VOID THE MANUFACTURES WARRANTY AND ARE NOT SUBJECT TO ANY WARRANTY CLAIMS AND/OR REPAIRS.



**DO NOT PLUG FIXTURE INTO A DIMMER PACK!
NEVER OPEN THIS FIXTURE WHILE IN USE!
UNPLUG POWER BEFORE SERVICING FIXTURE!
NEVER TOUCH FIXTURE DURING OPERATION AS IT MAY BE HOT!
KEEP FLAMMABLE MATERIALS AWAY FROM FIXTURE!**



ENSURE ALL CONNECTIONS AND END CAPS ARE PROPERLY SEALED WITH A DIELECTRIC GREASE (AVAILABLE AT MOST ELECTRICAL SUPPLIERS) TO PREVENT WATER CORROSION AND/OR ELECTRICAL SHORT CIRCUIT.



IF THE FIXTURE IS EXPOSED TO ENVIRONMENTAL TEMPERATURE CHANGES SUCH AS RELOCATION FROM AN OUTDOOR COLD TO AN INDOOR WARM ENVIRONMENT, DO NOT POWER THE FIXTURE ON IMMEDIATELY. INTERNAL CONDENSATION AS A RESULT OF ENVIRONMENTAL TEMPERATURE CHANGE CAN CAUSE INTERNAL FIXTURE DAMAGE. LEAVE THE FIXTURE POWERED OFF UNTIL IT HAS REACHED ROOM TEMPERATURE BEFORE POWERING ON.



**NEVER LOOK DIRECTLY INTO THE LIGHT SOURCE! RETINA INJURY RISK - MAY INDUCE BLINDNESS! SENSITIVE PERSONS MAY SUFFER AN EPILEPTIC SHOCK!
THIS IS A RISK GROUP 3 (HIGH RISK) PRODUCT ACCORDING TO EN 62471 AND IEC/ TR 62778. THE LUMINAIRE SHOULD BE POSITIONED 63 METERS OR MORE FROM THE OUTPUT OF THE FIXTURE TO REDUCE OR ELIMINATE EXPOSURE.**

SAFETY GUIDELINES

DO NOT TOUCH the fixture housing during operation. Turn OFF the power and allow approximately 15 minutes for the fixture to cool down before servicing.

DO NOT shake fixture; avoid brute force when installing and/or operating fixture.

DO NOT operate fixture if the power cord has become frayed, crimped, damaged and/or if any of the power cord connectors are damaged and do not insert into the fixture securely with ease.

NEVER force a power cord connector into the fixture. If the power cord or any of its connectors are damaged, replace it immediately with a new one of similar power rating.

DO NOT block any air ventilation slots; these must remain clean and never blocked. Allow approx. 7.9” (20cm) between fixture and other devices or a wall for proper cooling.

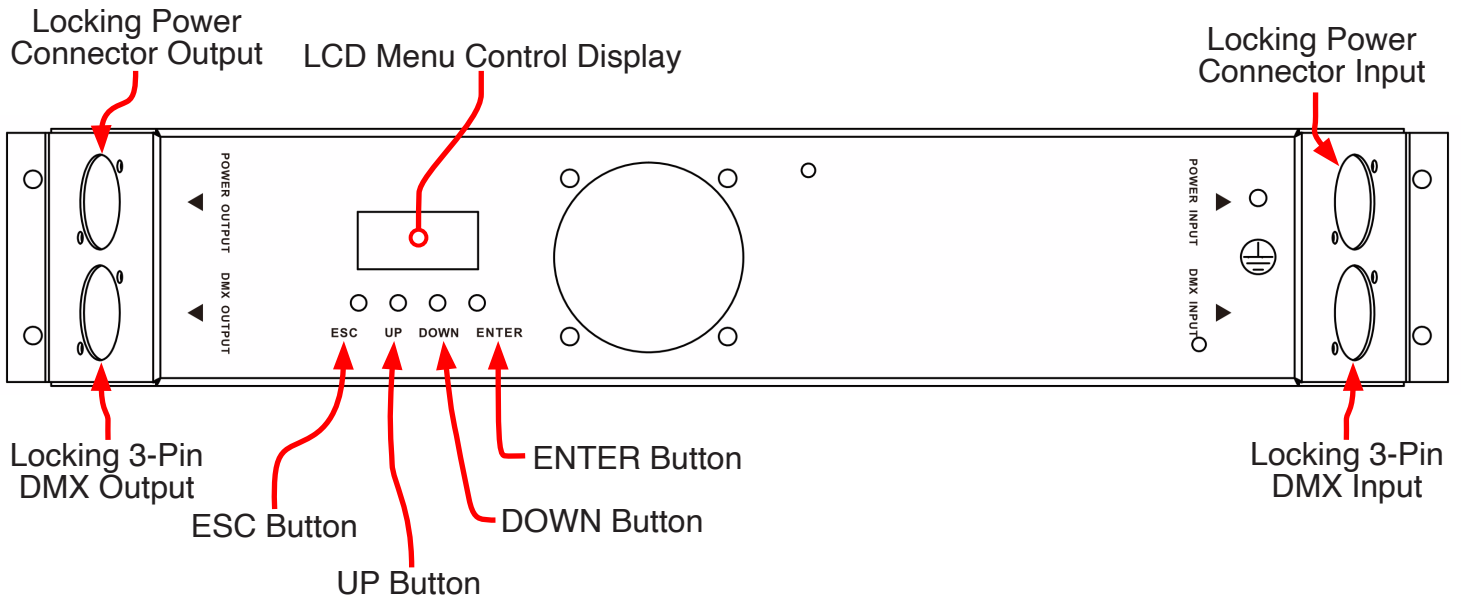
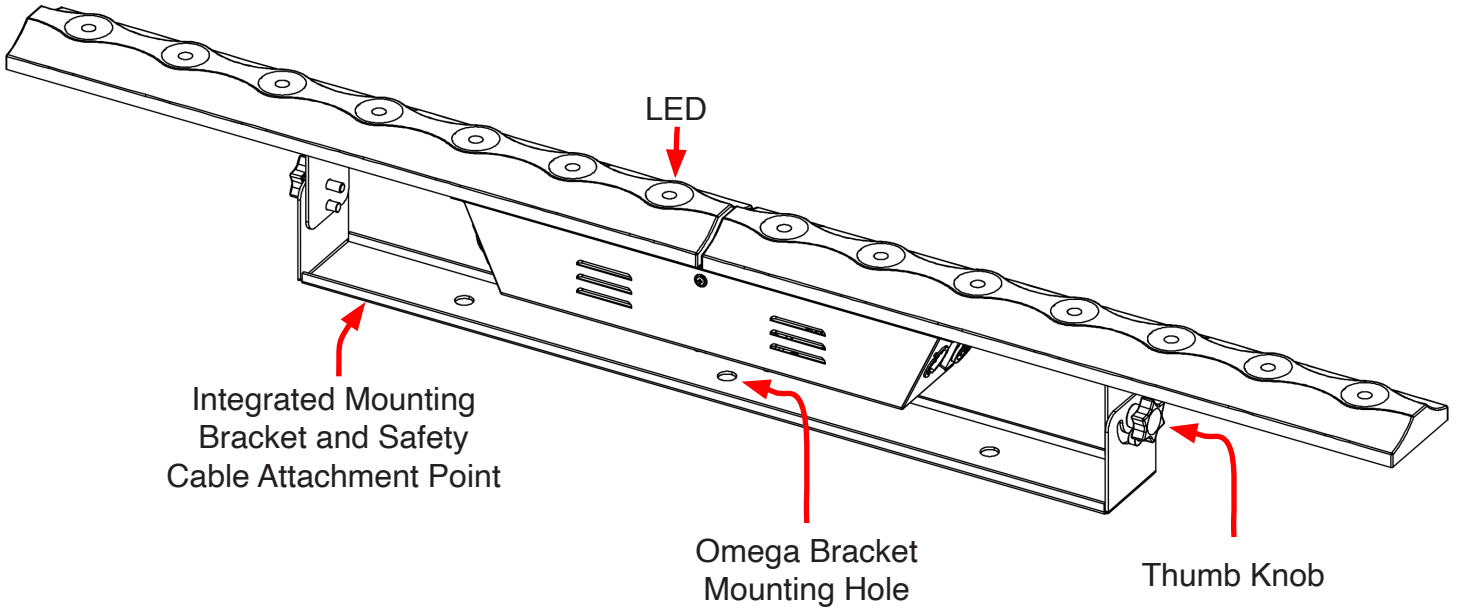
When installing fixture in a suspended environment, always use mounting hardware that is no less than M10 x 25 mm, and always attach an appropriately rated safety cable.

ALWAYS disconnect fixture from main power source before performing any type of service and/or cleaning procedure. Only handle the power cord by the plug end; never pull out the plug by tugging the wire portion of the cord.

During the initial operation of this fixture, a light smoke or smell may emit from the interior of the fixture. This is a normal process and is caused by excess paint in the interior of the casing burning off from the heat associated with the lamp and will decrease gradually over time.

Consistent operational breaks will ensure fixture will function properly for many years. **ONLY** use the original packaging and materials to transport the fixture in for service.

OVERVIEW



INSTALLATION



FLAMMABLE MATERIAL WARNING

Keep fixture at least 7.9in. (0.2m) away from any flammable materials, decorations, pyrotechnics, etc.



ELECTRICAL CONNECTIONS

A qualified electrician should be used for all electrical connections and/or installations.



MINIMUM DISTANCE TO OBJECTS/SURFACES MUST BE 40 FEET (12 METERS)



MAXIMUM TEMPERATURE OF EXTERNAL SURFACE 167°F (75°C)

DO NOT INSTALL THE FIXTURE IF YOU ARE NOT QUALIFIED TO DO SO!

Fixture **MUST** be installed following all local, national, and country commercial electrical and construction codes and regulations. Before rigging/mounting the fixture to any metal truss/structure or placing the fixture on any surface, a professional equipment installer **MUST** be consulted to determine if the metal truss/structure or surface is properly certified to safely hold the combined weight of the fixture, clamps, cables, and accessories.

Overhead fixture installation must always be secured with a secondary safety attachment, such as an appropriately rated safety cable that meets all local, national, and country codes and regulations.

Fixture ambient operating temperature range is **-4°F to 104°F. (-20°C to 40°C)** Do not use this fixture outside this temperature range.

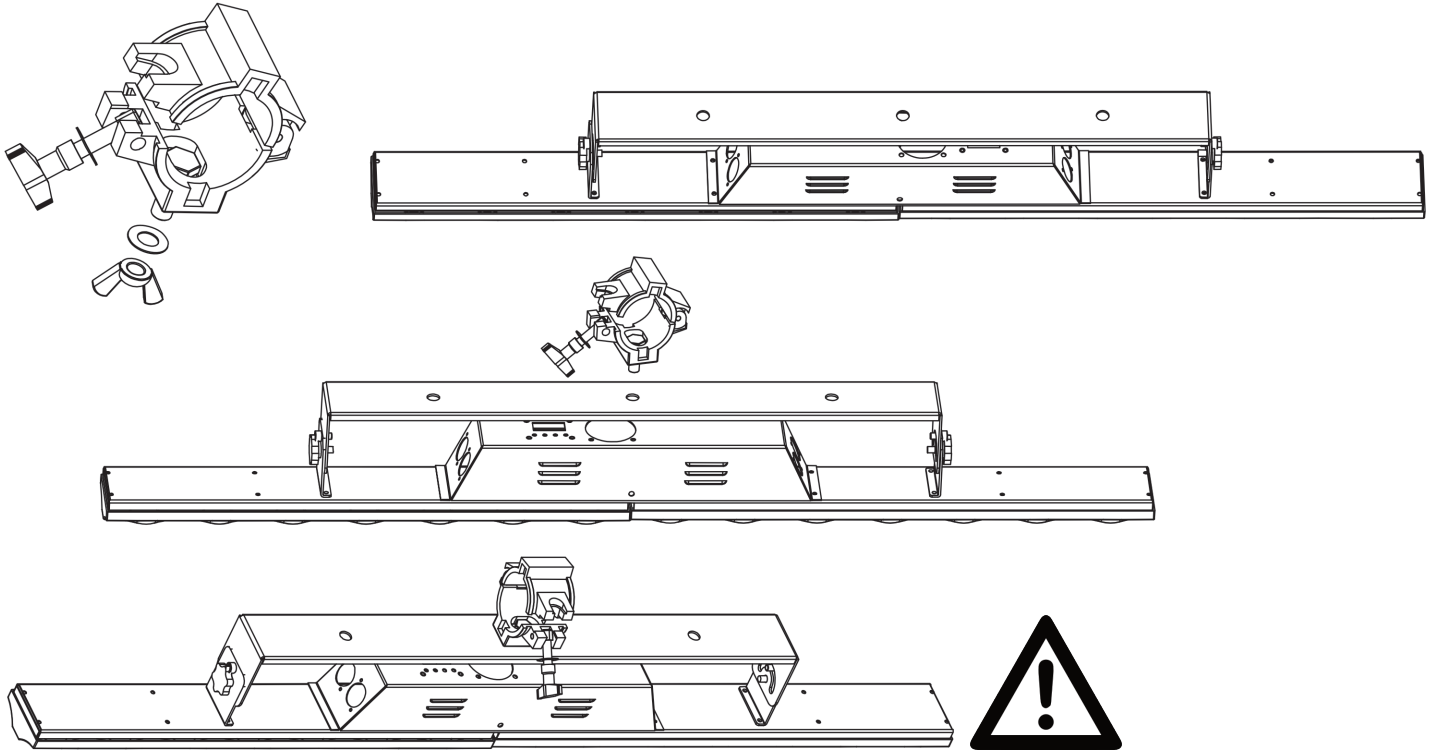
Fixture should be installed in areas outside walking paths, seating areas, or away from areas where unauthorized personnel might reach the fixture by hand.

NEVER stand directly below the fixture when rigging, removing, or servicing.

Allow approximately 15-minutes for the fixture to cool down before servicing.

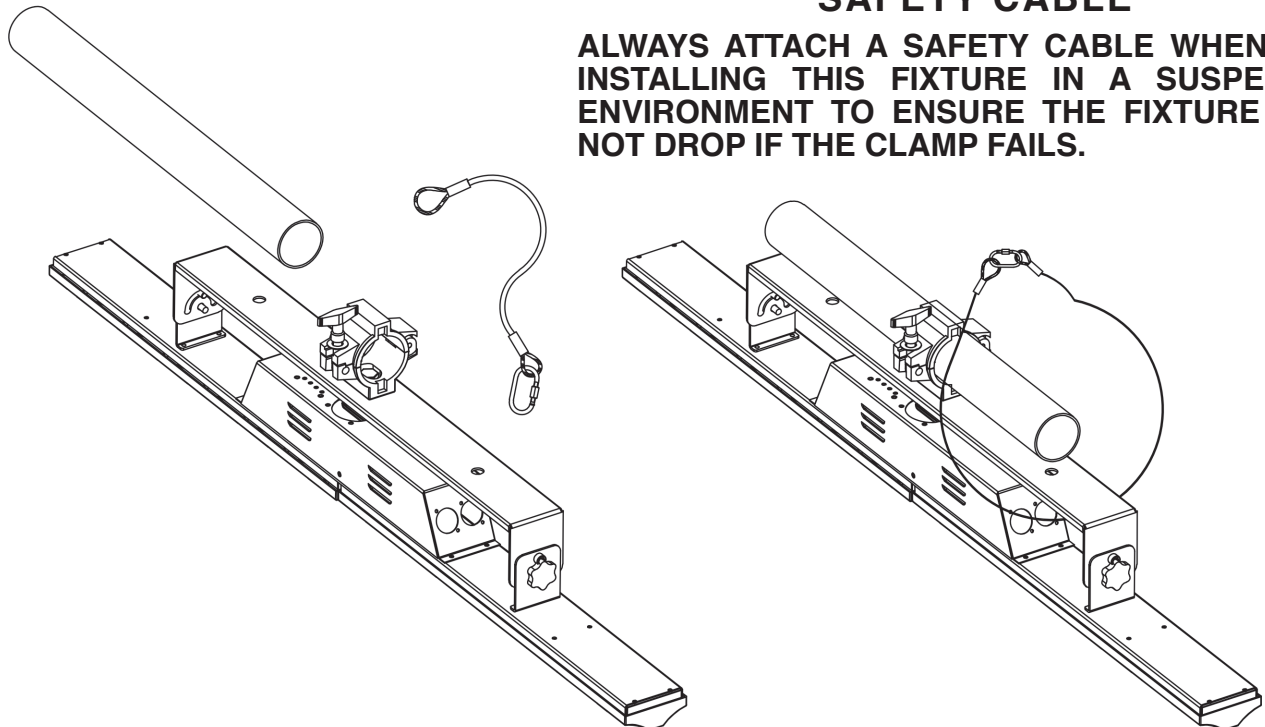
INSTALLATION

Screw one clamp each via a M12 screw and nut into the Omega brackets. Insert the quick-lock fasteners of the Omega brackets into the respective holes on the bottom of the Frost FX Bar W. Tighten the quick-lock fasteners fully clockwise. Pull a safety cable through the safety cable attachment points located on the base plate and over the trussing system or a safe fixation spot. Insert the end in the carabiner and tighten the safety screw.



*SAFETY CABLE

ALWAYS ATTACH A SAFETY CABLE WHENEVER INSTALLING THIS FIXTURE IN A SUSPENDED ENVIRONMENT TO ENSURE THE FIXTURE WILL NOT DROP IF THE CLAMP FAILS.

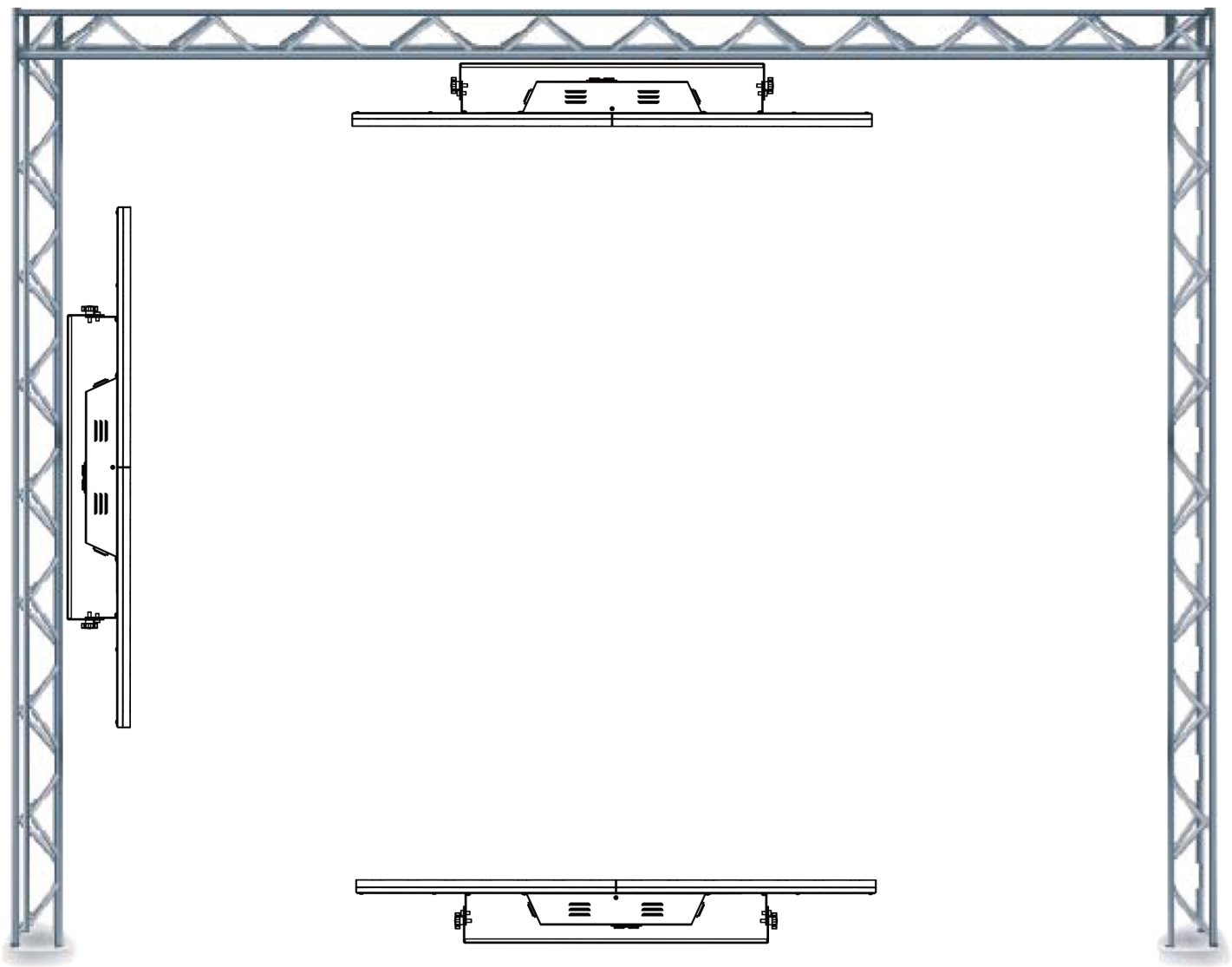


INSTALLATION

When installing the unit, the trussing or area of installation must be able to hold 10 times the weight without any deformation. When installing, the unit must be secured with a secondary safety attachment, e.g. and appropriate safety cable. Never stand directly below the unit when mounting, removing, or servicing the unit.

Overhead mounting requires extensive experience, including calculating working load limits, installation material being used, and periodic safety inspection of all installation material and unit. If you lack these qualifications, do not attempt the installation yourself. Installations should be checked by a skilled person once a year.

The Frost FX Bar W is fully operational in three different mounting positions, hanging upside-down from a ceiling or trussing, sideways on trussing, or set on a flat level surface. Be sure this fixture is kept at least 12m (40ft) away from any flammable materials (decoration etc.). Always use and install the supplied safety cable as a safety measure to prevent accidental damage and/or injury in the event the clamp fails. Never use the carrying handles for secondary attachment.



SETUP

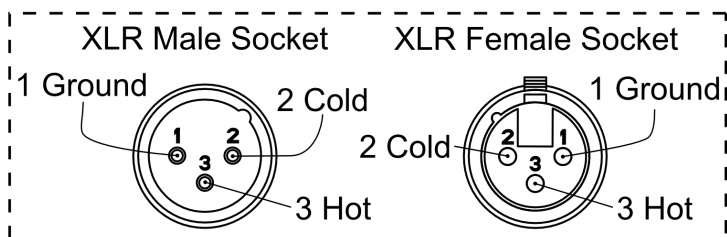
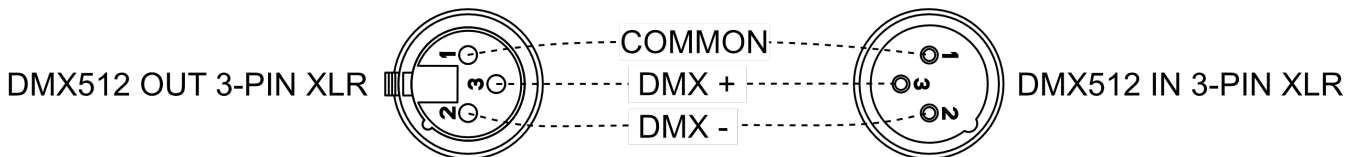
DMX-512: DMX is short for Digital Multiplex. This is a universal protocol used as a form of communication between intelligent fixtures and controllers. A DMX controller sends DMX data instructions from the controller to the fixture. DMX data is sent as serial data that travels from fixture to fixture via the DATA “IN” and DATA “OUT” XLR terminals located on all DMX fixtures (most controllers only have a DATA “OUT” terminal).

DMX Linking: DMX512 is a standard digital network control protocol allowing all makes and models of luminaires and fixtures from different manufactures to be linked and operated from a single controller, provided that the controller and all fixtures are DMX512 compliant. To ensure proper DMX data transmission when using several DMX fixtures, try to use the shortest cable path possible. The order in which fixtures are connected in a DMX line does not influence the DMX addressing. For example; a fixture assigned a DMX address of 1 may be placed anywhere in a DMX line, at the beginning, at the end, or anywhere in the middle. When a fixture is assigned a DMX address of 1, the DMX controller knows to send DATA assigned to address 1 to that unit, no matter where it is located in the DMX chain.

DMX Data Cable Requirements: The Fixture can be controlled via DMX512 protocol. Your unit and your DMX controller require a standard 3-pin XLR connector for data input and data output; we recommend Accu-Cable DMX cables. If you are making your own cables, be sure to use standard 110-120 Ohm shielded cable (This cable can usually be purchased at most professional lighting stores). Ensure that your cables are comprised of one male and one female XLR connector, and remember that the DMX cable must be daisy chained, and cannot be split.



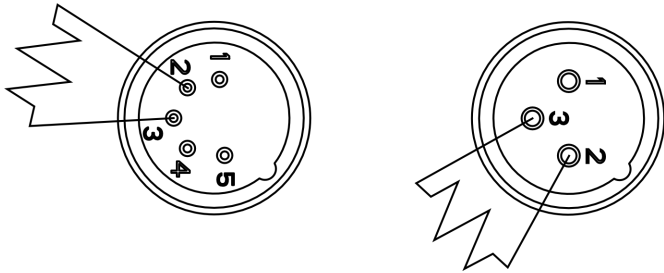
Notice: Be sure to follow figures two and three when making your own cables. Do not use the ground lug on the XLR connector. Do not connect the cable’s shield conductor to the ground lug or allow the shield conductor to come in contact with the XLR’s outer casing. Grounding the shield could cause a short circuit and erratic behavior.



XLR Pin Configuration
Pin 1 = Ground
Pin 2 = Data Compliment (negative)
Pin 3 = Data True (positive)

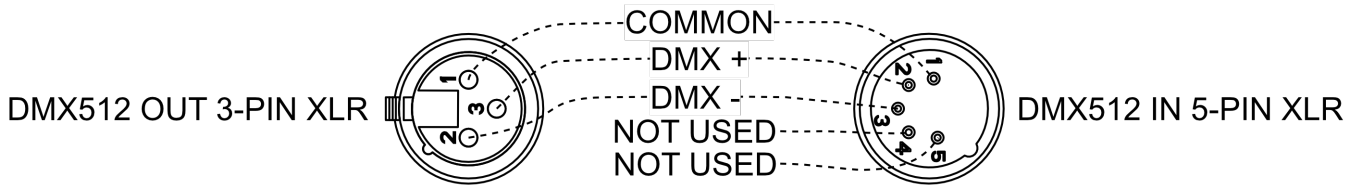
SETUP

Special Note: Line Termination. When longer runs of cable are used, you may need to use a terminator on the last unit to avoid erratic behavior. A terminator is a 110-120 ohm 1/4 watt resistor which is connected between pins 2 and 3 of a male XLR connector (DATA + and DATA -). This unit is inserted in the female XLR connector of the last unit in your daisy chain to terminate the line. Using a cable terminator (ADJ part number Z-DMX/T) will decrease the possibilities of erratic behavior.



A DMX512 terminator reduces signal errors, avoiding most signal reflection interference. Connect PIN 2 (DMX-) and PIN 3 (DMX+) of the last fixture in series with a 120 Ohm, 1/4 W Resistor to terminate the DMX512.

5-Pin XLR DMX Connectors: Some manufactures use 5-pin DMX- 512 data cables for DATA transmission in place of 3-pin. 5-pin DMX fixtures may be integrated into a 3-pin DMX line with a 5-pin to 3-pin adapter cable. Although these adapters are available at most electric stores, one can be assembled using the conversion chart.



3-Pin XLR to 5-Pin XLR Conversion		
Ground/Shield	Pin 1	Pin 1
Data Compliment (- signal)	Pin 2	Pin 2
Data True (+ signal)	Pin 3	Pin 3
Not Used		Do Not Use
Not Used		Do Not Use

DMX ADDRESSING

All fixtures should be given a DMX starting address when using a DMX controller, so the correct fixture responds to the correct control signal. This digital starting address is the channel number from which the fixture starts to “listen” to the digital control signal sent out from the DMX controller. The assignment of this starting DMX address is achieved by setting the correct DMX address on the digital control display on the fixture.

You can set the same starting address for all fixtures or a group of fixtures, or set different addresses for each individual fixture. Setting all fixtures to the same DMX address will cause all fixtures to react in the same way, in other words, changing the settings of one channel will affect all the fixtures simultaneously.

If you set each fixture to a different DMX address, each unit will start to “listen” to the channel number you have set, based on the quantity of DMX channels of each fixture. That means changing the settings of one channel will only affect the selected fixture.

In the case of the Frost fx bar w, when in 8 channel mode you should set the starting DMX address of the first unit to 1, the second unit to 9 (8 + 1), the third unit to 17 (9 + 8), and so on.

Channel Mode	Unit 1 Address	Unit 2 Address	Unit 3 Address	Unit 4 Address
3 Channels	1	4	7	10
8 Channels	1	9	17	25
14 Channels	1	15	29	43
14 Channels	1	15	29	43
17 Channels	1	18	35	52
56 Channels	1	57	113	169
60 Channels	1	61	121	181
66 Channels	1	67	133	199
69 Channels	1	70	139	208

SYSTEM MENU

The fixture includes an easy to navigate system menu control panel display where all necessary settings and adjustments are made. During normal operation, pressing the **ESC** button once will return the current menu to the last menu. In the main menu, you can navigate through the different functions and access the sub-menus with the **UP** and **DOWN** buttons. When you reach a field that requires adjusting, press the **ENTER** button to access that field and use the **UP** and **DOWN** buttons to adjust the field. Pressing the **ENTER** button once more will confirm your setting. You may exit the main menu at any time without making any adjustments by pressing the **ESC** button.

ESC button: Return the current menu to the last menu.

UP button: Press UP to move up the next menu, or to increase a selection value.

Down button: press DOWN to move down to the next menu, or to decrease a selection value.

ENTER button: press ENTER to select menu, or confirm selected value.



ESC UP DOWN ENTER

Menu	Submenu	Description
d001	XXX	DMX control mode
Auto	Au.01 (Auto 1)	S (01-16) Auto mode speed slow to fast
	Au.02 (Auto 2)	
	Au.03 (Auto 3)	
	Au.04 (Auto 4)	
	Au.05 (Auto 5)	
	Au.06 (Auto 6)	
	Au.07 (Auto 7)	
	Au.08 (Auto 8)	
	Au.09 (Auto 9)	
	Au.10 (Auto 10)	
	Au.11 (Auto 11)	
	Au.12 (Auto 12)	
	Au.13 (Auto 13)	
	Au.14 (Auto 14)	
	Au.15 (Auto 15)	
Sound	Sod1 (Sound Mode 1)	SC-(1-9) Sensitivity 1-9
	Sod2 (Sound Mode 2)	
CH-	CH06	6 Channels mode
	CH08	8 Channels mode
	Ch14	14 Channels mode1
	CH14	14 Channels mode2
	CH17	17 Channels mode
	CH56	56 Channels mode
	CH60	60 Channels mode
	CH66	66 Channels mode
	CH69	69 Channels mode
TEST	LED TEST MODE	LED Test
Ver	V001	Software version
PSET	OFF	Normal Pixel Orientation Pixel Flip Disabled
	ON	Pixel Flip Pixel Flip Enabled

DMX TRAITS: CHANNEL FUNCTIONS & VALUES (6/8/14/14/17/56/60/66/69 DMX Channels)

6CH	8CH	14Ch	14CH	17CH	56CH	60CH	66CH	69CH	Values	Functions
	1	1	1	1					000-255	White Main Pixels 1-14 0% - 100%
	2	2		2					000-255	Red Background Color 1-14 0% - 100%
	3	3		3					000-255	Green Background Color 1-14 0% - 100%
	4	4		4					000-255	Blue Background Color 1-14 0% - 100%
					1	1	1	1	000-255	White Main Pixel 1 0% - 100%
					2	2	2	2	000-255	White Main Pixel 2 0% - 100%
					3	3	3	3	000-255	White Main Pixel 3 0% - 100%
					4	4	4	4	000-255	White Main Pixel 4 0% - 100%
...
					14	14	14	14	000-255	White Main Pixel 14 0% - 100%
					15	15	15	15	000-255	Red Background Color 1 0% - 100%
					16	16	16	16	000-255	Green Background Color 1 0% - 100%
					17	17	17	17	000-255	Blue Background Color 1 0% - 100%
...
					54	54	54	54	000-255	Red Background Color 14 0% - 100%
					55	55	55	55	000-255	Green Background Color 14 0% - 100%
					56	56	56	56	000-255	Blue Background Color 14 0% - 100%
			2	5				57	000-031	Background Color 1-14, COLOR TEMPERATURE LINEAR 2700-6000K No Function
								57	000-255	2700K-6000K
			3	6				58	000-031	Background Color 1-14, COLOR TEMPERATURE PRESETS No Function
								58	032-255	2700K
								58	077-121	3200K
								58	122-166	4000K
								58	167-211	5600K
								58	212-255	6000K
			4	7				59	000-255	Background Pixel 1-14, 64 Color Macros (See Color Macros Chart)
								60		White Pixel 1-14 Shutter
								60	000-031	Shutter Closed (LEDs OFF)
								60	032-063	Shutter OPEN (LEDs ON)
								60	064-095	Strobe effect slow to fast
								60	096-127	Shutter OPEN (LEDs ON)
								60	128-159	Pulse effect in sequences
								60	160-191	Shutter OPEN (LEDs ON)
								60	192-223	Random strobe effect slow to fast
								60	224-255	Open
	6	6	6	9		58	58	61	000-255	White Pixel 1-14 Dimmer

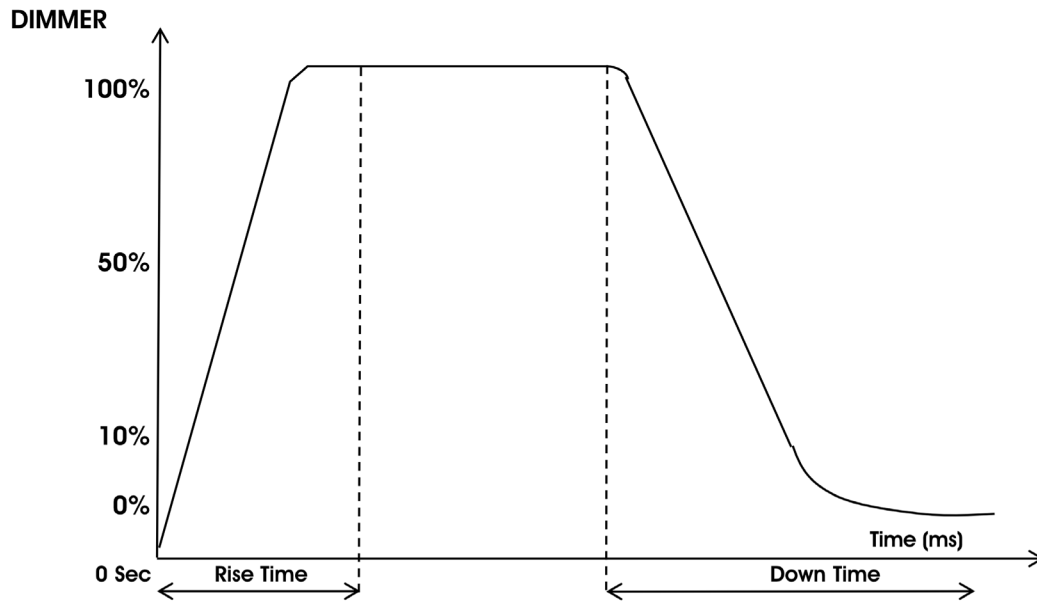
DMX TRAITS: CHANNEL FUNCTIONS & VALUES (6/8/14/14/17/56/60/66/69 DMX Channels)

6CH	8CH	14Ch	14CH	17CH	56CH	60CH	66CH	69CH	Values	Functions
										Background Color 1-14 Shutter
									000-031	Shutter Closed (LEDs OFF)
									032-063	Shutter OPEN (LEDs ON)
	7	7	7	10		59	59	62	064-095	Strobe effect slow to fast
									096-127	Shutter OPEN (LEDs ON)
									128-159	Pulse effect in sequences
									160-191	Shutter OPEN (LEDs ON)
									192-223	Random strobe effect slow to fast
									224-255	Open
	8	8	8	11		60	60	63	000-255	Background Color 1-14 Dimmer
										White LEDs Auto
									0-14	No Function
									15-29	Auto 1
									30-44	Auto 2
									45-59	Auto 3
									60-74	Auto 4
									75-89	Auto 5
									90-104	Auto 6
1			9	12			61	64	105-119	Auto 7
									120-134	Auto 8
									135-149	Auto 9
									150-164	Auto 10
									165-179	Auto 11
									180-194	Auto 12
									195-209	Auto 13
									210-224	Auto 14
									225-239	Auto 15
									240-255	Sound
2		10	10	13			62	65	000-255	White LEDs Auto Speed (Slow to Fast)
3		11	11	14			63	66	000-255	White LEDs Auto Fade
										RGB LED's Auto
									0-14	No Function
									15-29	RGB 1
									30-44	RGB 2
									45-59	RGB 3
									60-74	RGB 4
									75-89	RGB 5
									90-104	RGB 6
4		12	12	15			64	67	105-119	RGB 7
									120-134	RGB 8
									135-149	RGB 9
									150-164	RGB 10
									165-179	RGB 11
									180-194	RGB 12
									195-209	RGB 13
									210-224	RGB 14
									225-239	RGB 15
									240-255	RGB 16
5		13	13	16			65	68	000-255	RGB LED's Auto Speed (Slow to Fast)
6		14	14	17			66	69	000-255	RGB LED's Auto Fade

COLOR MACRO CHART

Color	DMX VALUE	RGB COLOR INTENSITY		
		RED	GREEN	BLUE
R02 BASTARD AMBER	1-7	255	206	143
R04 MEDIUM AMBER	8-15	254	177	153
R09 PALE AMBER GOLD	16-23	254	192	138
R316 GALLO GOLD	24-31	254	165	98
R21 GOLDEN AMBER	32-39	254	121	0
R26 LIGHT RED	40-47	176	17	0
R27 MEDIUM RED	48-55	96	0	11
R36 MEDIUM PINK	56-63	234	139	171
R339 BROADWAY PINK	64-71	224	5	97
R344 FOLLIES PINK	72-79	175	77	173
R52 LIGHT LAVENDER	80-87	119	130	199
R54 SPECIAL LAVENDER	88-95	147	164	212
R57 LAVENDER	96-103	88	2	163
R59 INDIGO	104-111	0	38	86
R361 HEMSLEY BLUE	112-119	0	142	208
R362 TIPTON BLUE	120-127	52	148	209
R64 LIGHT STEEL BLUE	128-135	1	134	201
R67 LIGHT SKY BLUE	136-143	0	145	212
R68 SKY BLUE	144-151	0	121	192
R69 BRILLIANT BLUE	152-159	0	129	184
R76 LIGHT GREEN BLUE	160-167	0	83	115
R79 BRIGHT BLUE	168-175	0	97	166
R80 PRIMARY BLUE	176-183	1	100	167
R382 CONGO BLUE	184-191	0	40	167
R87 PALE YELLOW GREEN	192-199	209	219	182
R89 MOSS GREEN	200-207	42	165	85
R91 PRIMARY GREEN	208-215	0	46	35
L200 DOUBLE CTB	216-223	8	107	222
FULL RED	224-231	255	0	0
FULL GREEN	232-239	0	255	0
FULL BLUE	240-247	0	0	255
WHITE	248-255	255	255	255

DIMMER MODE CHART



Dimming Curve Ramp Effect	0 sec Fade Time		1 sec Fade Time	
	Rise Time (ms)	Down Time (ms)	Rise Time (ms)	Down Time (ms)
Standard (default)	0	0	0	0
Stage	780	1100	1540	1660
TV	1180	1520	1860	1940
Architectural	1380	1730	2040	2120
Theatre	1580	1940	2230	2280
Stage 2	0	1100	0	1660

Dimming Speed	
DMX Value	Delay and Menu Display Time
121	0.1Sec.
122	0.2Sec.
123	0.3Sec.
124	0.4Sec.
125	0.5Sec.
126	0.6Sec.
127	0.7Sec.
128	0.8Sec.
129	0.9Sec.
130	1.0Sec.
131	1.5Sec.
132	2.0Sec.
133	3.0Sec.
134	4.0Sec.
135	5.0Sec.
136	6.0Sec.
137	7.0Sec.
138	8.0Sec.
139	9.0Sec.
140	10Sec.

POWER LINKING

With this feature you can connect the fixtures to one another using the power cable input and output sockets.

NOTE: USE CAUTION WHEN POWER LINKING OTHER FIXTURES AS THE POWER CONSUMPTION OF OTHER MODEL FIXTURES MAY EXCEED THE MAX POWER OUTPUT ON THIS FIXTURE! CHECK SILK SCREEN FOR MAX AMPS.

CLEANING

Due to fog residue, smoke, and dust cleaning the internal and external optical lenses must be carried out periodically to optimize light output.

1. Use a damp microfiber cloth to wipe down the outside casing, and to clean the external optics. We recommend that you clean the external optics every 20 days.
2. Always be sure to dry all parts completely before plugging the unit back in.
3. Opening the unit will void warranty.

Cleaning frequency depends on the environment in which the fixture operates (i.e. smoke, fog residue, dust, dew).

SPECIFICATIONS

Input Voltage: 110-240VAC 50-60Hz

Power Supply: 55w

Lamp: 14pcs 3W Cree Cool-white (6000k)+84pcs 5050 3in1 smd LED

Control Mode: DMX512/ Auto mode/Sound mode/

Dimming: 0–100°

Angle: 17°

DMX Channel: CH06/CH08/Ch14/CH14/CH56/CH60/CH66/CH69

Display: 4 button LED display

Connection: 3-pin Data in/out

Power Connector in/out

Material: Steel housing

Dimensions:

Product Dimensions: 39.4"x2.8"x4.8" (1000mmx70mmx121.4mm)

Package Dimensions: 41.5"x5.5"x6.3" (1055mmx140mmx160mm)

N.W. 3Kg

G.W.: 3.6Kg

Included Items: 1 Power cord

DIMENSIONS

